































## DISCLAIMERS

- MAC Link Units cannot be moved while connected (mechanical, electrical, or access control).
- A maximum of four (4) MAC Link units can be connected.
- The power distribution panel should not be used to power any other equipment, with the exception of additional MAC Link units (see above note on maximum connected link units).
- MAC Link site power connection must run to the left most unit, when looking at the secure side.
- To avoid damage to the Access Control System, when shutting down the unit, turn off power from the ACS system first, then power down each turnstile unit through the electric panel.
- To avoid damage to the Access Control System, when powering up the unit, first connect power to the turnstile units, then power up the ACS system last.



## ADDENDUM

A. PSG Standard Low-Voltage Pre-Wire ..... A



## MAC Portal Access Control Wiring

MAC portals delivered without an access control system are pre-wired to accept a system. The wires are coiled in the turnstile top channel, labeled on both ends, but only the 18-2 is terminated to the turnstile PCB. Turnstile top channels must be removed to make the terminations when installing the access control system.

For EACH turnstile lane, the wires provided in the turnstile top channel are:

Two 22-6: to pull to entry and exit card readers if needed

Two CAT6: to pull to entry and exit card readers if needed

Two 18-2: to pull to the access control panel location - one for Access Granted clockwise (exit), one for Access Granted counterclockwise (entry)

Two 22-2: to pull to the access control panel location: one for Rotation Detection Switch (Boon Edam) / OpticalSensor (Alvarado), one for other options such as fire alarm

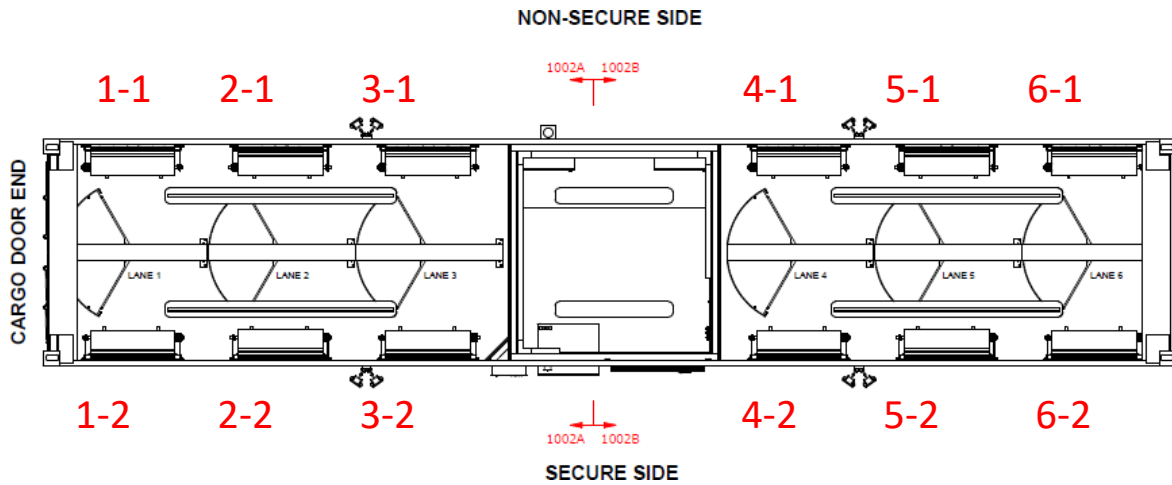


# Low Voltage Wire Labeling

Access control wiring and card reader mounts are labeled from 1- x, starting at the far right from the NON-SECURE (entry/public/parking lot) side.

Single Turnstiles:

Entry rotation is counterclockwise. Exit rotation is clockwise.



Tandem Turnstiles:

Odd numbered lanes: Entry rotation is counterclockwise. Exit rotation is clockwise.  
Even numbered lanes: Entry rotation is clockwise. Exit rotation is counterclockwise.

